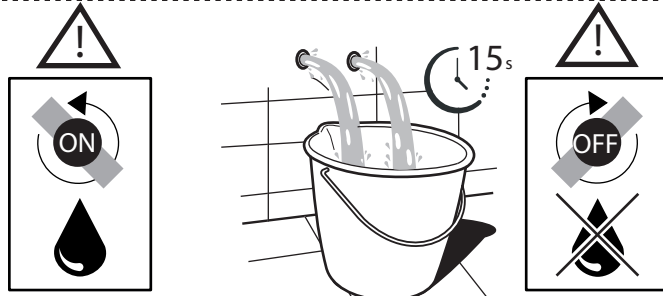
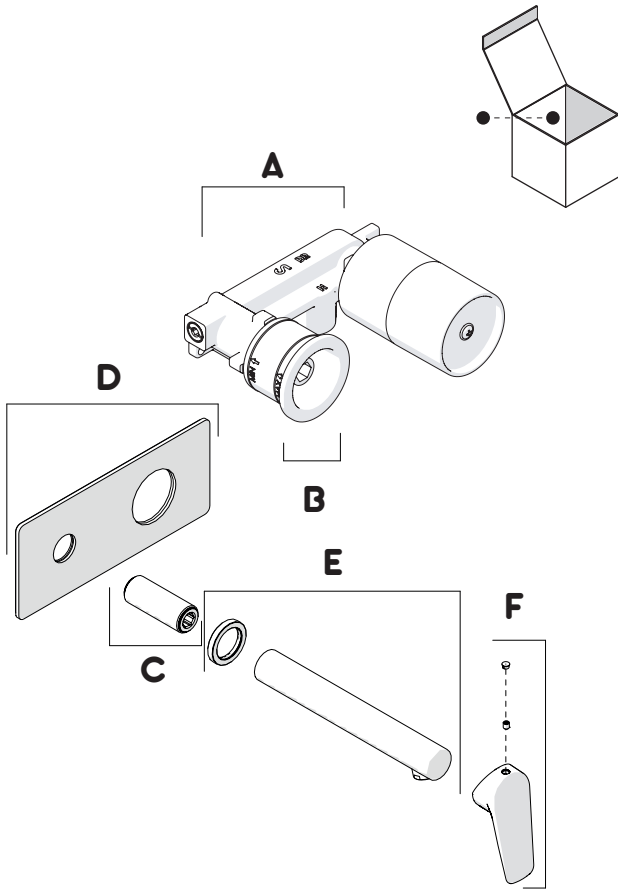


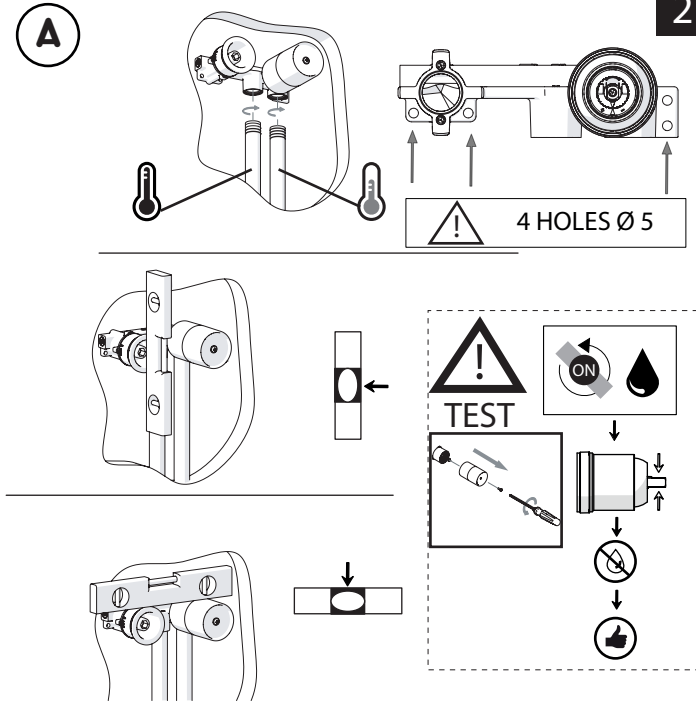
Not included

1



A

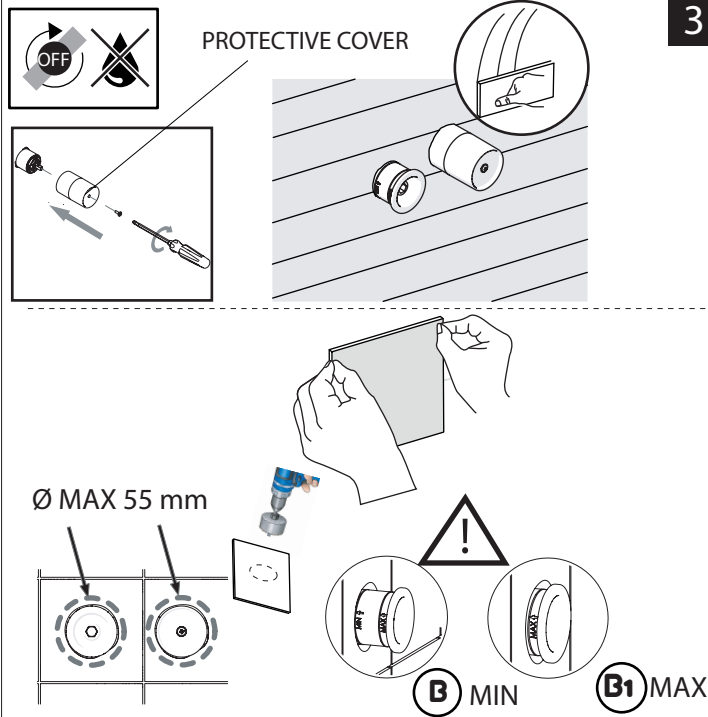
2



OFF

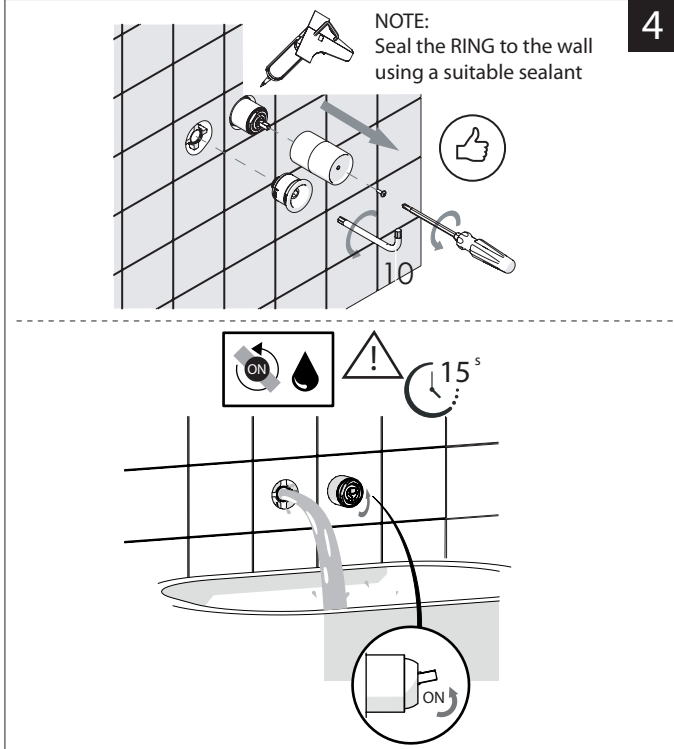
PROTECTIVE COVER

3

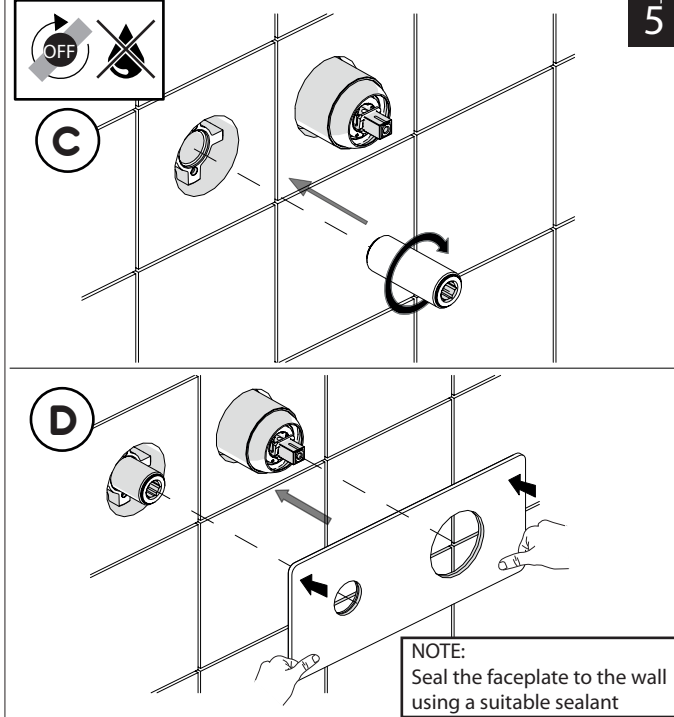


NOTE: Seal the RING to the wall using a suitable sealant

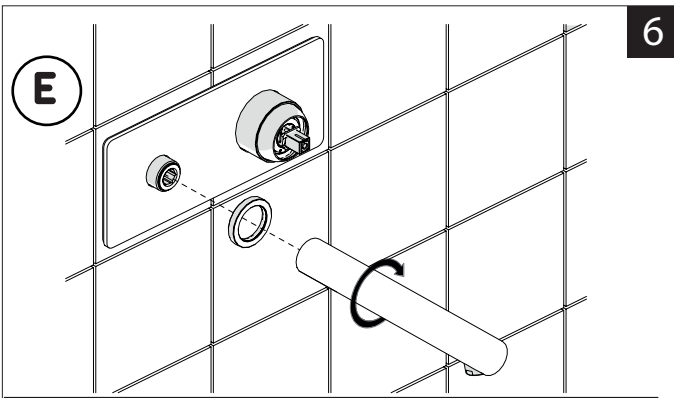
4



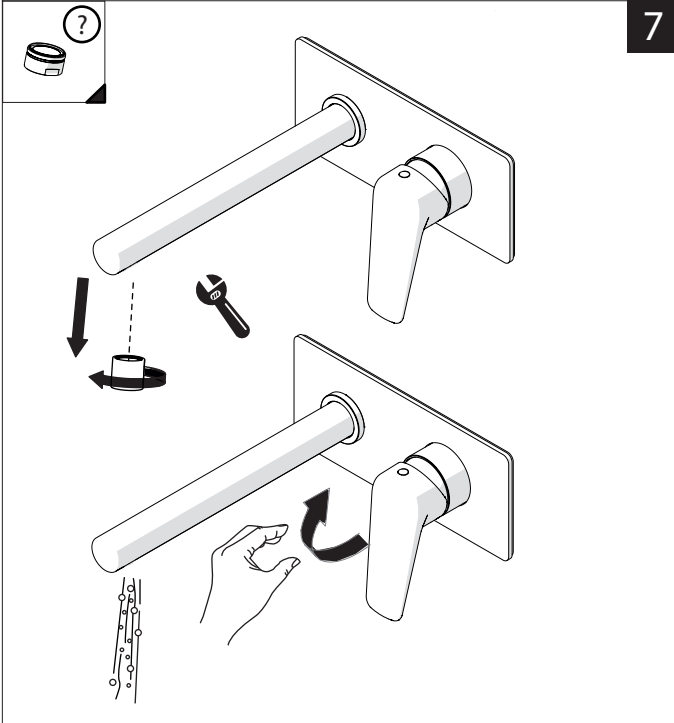
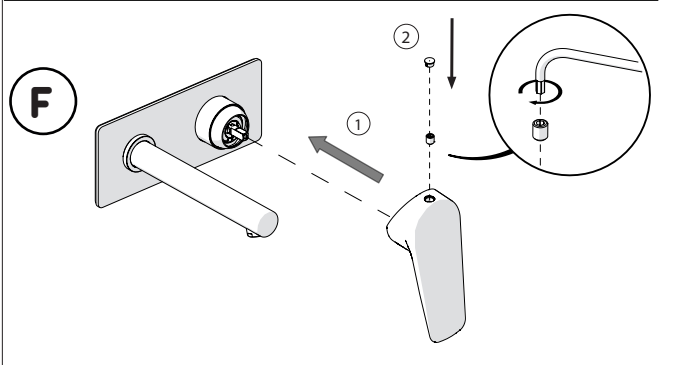
5



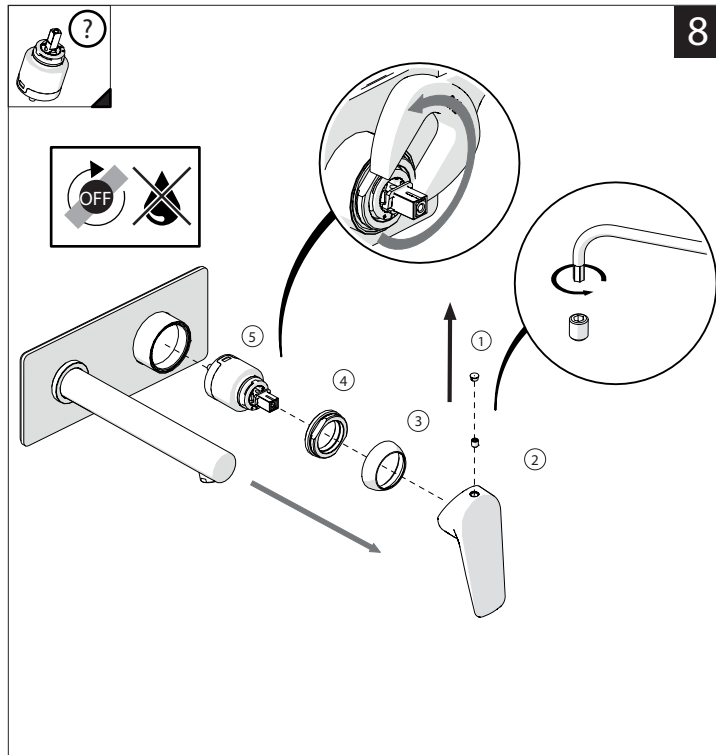
NOTE: Seal the faceplate to the wall using a suitable sealant



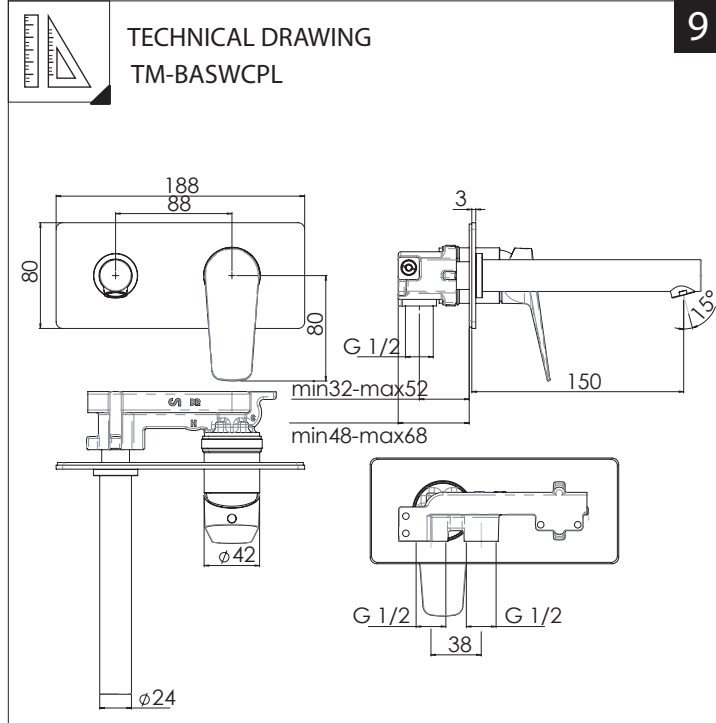
6



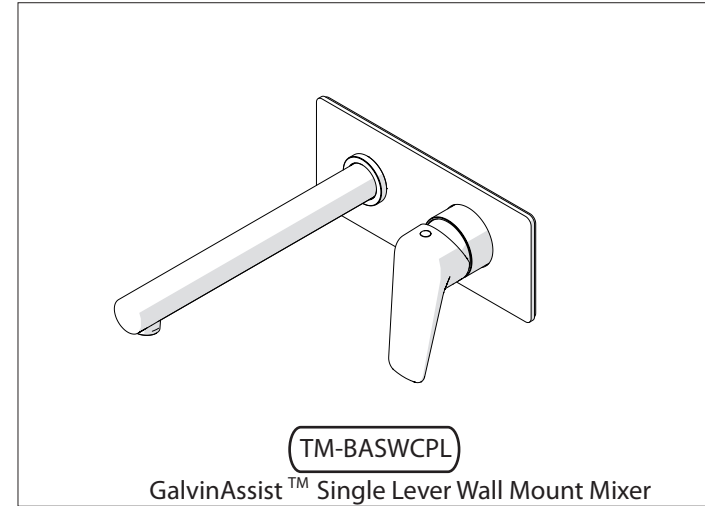
7



8



9



**NOTE:**  
Galvin Specialised products must be installed in accordance with these installation instructions and in accordance with AS/NZS 3500



**BEFORE STARTING**

	P Kpa		MAX 1000		T °C		MAX 80		65		45
			MIN 50								

**CLEANING**

WATER	YES CHROME NO PAINTED ALCOHOL	MICROFIBER	SPONGE	DETERGENT
	ALL FINISHES WATER AND SOAP		ALWAYS DRY WELL	